

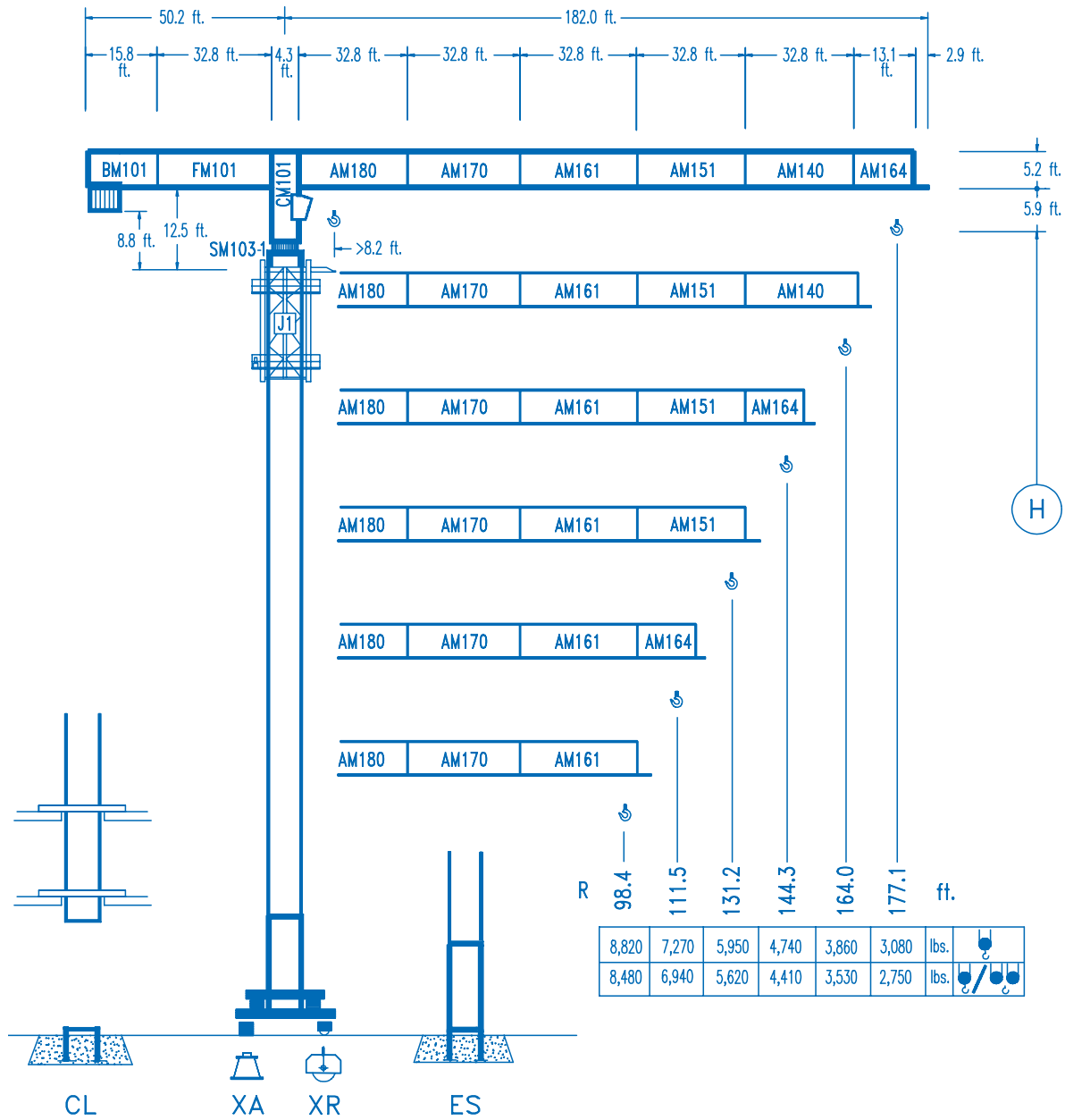


COMANSA

LINDEN 1000

10 LC 110

17,630 lbs.

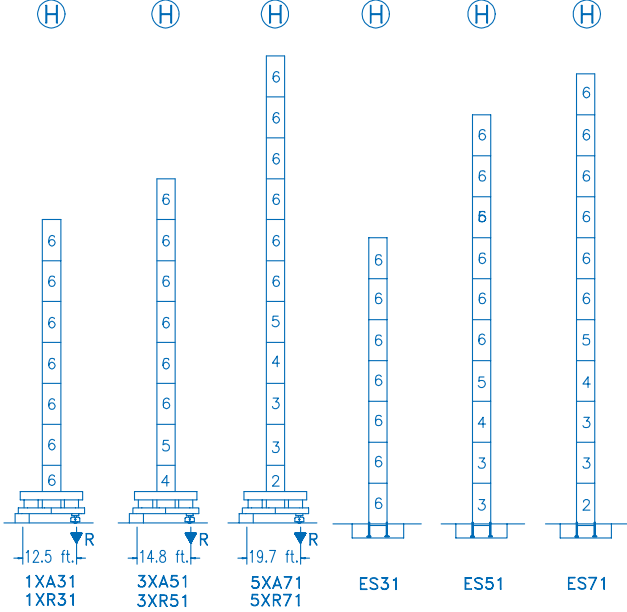


8,820	7,270	5,950	4,740	3,860	3,080	lbs.	
8,480	6,940	5,620	4,410	3,530	2,750	lbs.	

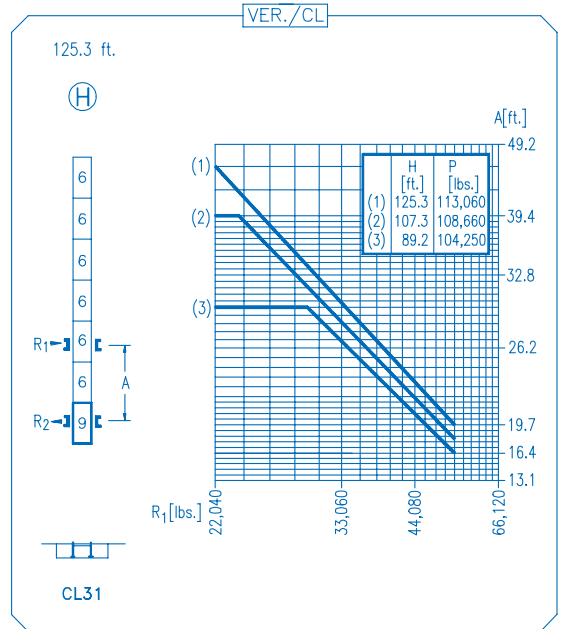
CE
DIN 15018 H1 B3

R		R _(Cmax)	C _{max}	82.0	98.4	111.5	131.2	144.3	164.0	177.1	
177.1		74.1 ft.	8,820	7,860	6,370	5,490	4,520	4,010	3,420	3,080	
		39.7 ft.	17,630	7,590	6,080	5,190	4,200	3,690	3,080	2,750	
164.0		81.7 ft.	8,820	8,760	7,120	6,150	5,070	4,520	3,860		
		43.6 ft.	17,630	8,500	8,700	5,850	4,760	4,200	3,530		
144.3		84.9 ft.	8,820	8,820	7,440	6,430	5,310	4,740			
		44.9 ft.	17,630	8,870	7,130	6,130	4,990	4,410			
131.2		93.1 ft.	8,820	8,820	8,300	7,180	5,950				
		49.5 ft.	17,630	9,880	7,980	3,115	5,620				
111.5		94.1 ft.	8,820	8,820	8,390	7,270					
		49.8 ft.	17,630	9,990	8,070	6,940					
98.4		98.4 ft.	8,820	8,820	8,820						
		51.8 ft.	17,630	10,490	8,480						

138.1 ft. 156.1 ft. 211.2 ft. 133.2 ft. 187.3 ft. 205.3 ft.



N	Ref.	h
2	TS15	18.0 ft.
3	S14	18.0 ft.
4	TS14	18.0 ft.
5	S13	18.0 ft.
6	S12	18.0 ft.
9	CLS13.1	10.2 ft.



R. máx. En servicio
In operation
En service
In Betrieb

1XR31 ... 134,880 lbs.
3XR51 ... 124,520 lbs.
5XR71 ... 156,700 lbs.

R. máx. Fuera de servicio
Out of service
Hors service
Ausser Betrieb

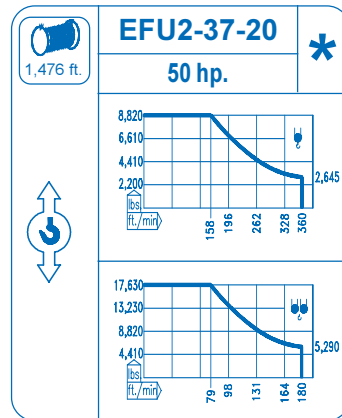
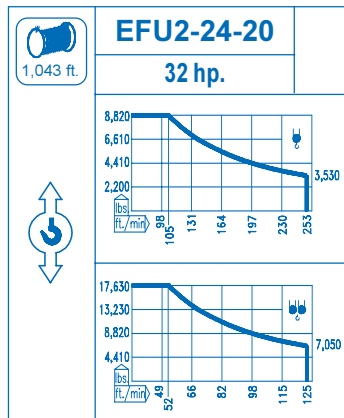
1XR31 ... 161,770 lbs.
3XR51 ... 179,620 lbs.
5XR71 ... 246,190 lbs.

CFU-4.0
5.4 hp.
0 ⇄ 216 ft./min

GR-12
88 ft.lbs.
0 ⇄ 0.8 rpm

TS2-5.5 | **TRA-7.5**
2 x 40 ft.lbs. | 2 x 55 ft.lbs.
0 ⇄ 78 ft./min
1XR31 | 5XR71
3XR51

TRA-7.5VC
2 x 55 ft.lbs.
0 ⇄ 78 ft./min
5XR71



Tensión de alimentación
Operating voltage
Tension de service
Betriebsspannung

480 V
3 ph
60 Hz

Opcional
Optional
En option
Kaufoption
